

Rorty De Dion Axle Assembly

It is well established that the De Dion axle can offer benefits over both live axle and IRS suspension setups.

This De Dion design breaks no new ground, but is devised specifically for the Lotus Seven style "Locost" sports car as detailed in Ron Champion's book "Build Your Own Sports Car For As Little As £250 – And Race It!"

No warranty is given or implied as to the design's suitability for any purpose. It is as yet unproven in a Locost, but is freely offered for educational and comparative purposes.

Anyone building and driving a car based on this design does so entirely at their own risk.

Due to their propensity to sue anything with a pulse, Americans are explicitly requested not to attempt to construct this assembly either in part or in whole.

I absolve myself from any liability whatsoever.

Bob Frost-Stevenson

info@rorty-design.com

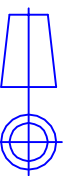
www.rorty-design.com

De Dion Axle Assembly Description

No.	Item
1	De Dion tube.
2	Hub plate.
3	Calliper bracket.
4	Ford Sierra rear hub.
5	Hex bolt, M10 x 30 and Ø10mm flat washer.
6	Hub bucket.
7	Axle bracket.
8	Shock bracket.
9	Panhard mount – axle, and 1/2"-20 UNF Nyloc nut.
10	1/2"-20 UNF RH rod end.
11	Safety washer.
12	Panhard tube.
13	Panhard tube ferule.
14	1/2"-20 UNF LH jam nut.
15	1/2"-20 UNF LH rod end.
16	Ø13mm spacer.
17	Hex bolt and Nyloc nut 1/2"-13 UNC and Ø1/2" flat washer.
18	Panhard mount – chassis.
19	Ford Sierra rear disc.

A3

FIRST ANGLE PROJECTION



THIS DRAWING IS CONFIDENTIAL AND IS SUPPLIED ON THE EXPRESS CONDITION THAT IT SHALL NOT BE LOANED, COPIED OR DISCLOSED TO ANY OTHER PERSON NOR USED FOR ANY OTHER PURPOSE WITHOUT THE WRITTEN CONSENT OF RORTY DESIGN

- UNLESS SPECIFIED OTHERWISE:
- 1. ALL DIMENSIONS ARE IN MILLIMETERS
 - 2. REMOVE ALL BURRS & SHARP EDGES
 - 3. CORNER RADII R0.75
 - 4. CHAMFER SIZE 0.75 x 45°
 - 5. CONCENTRICITY 0.05 TIR

UNLESS SPECIFIED OTHERWISE: TOLERANCES ANGULAR ± 0.5°

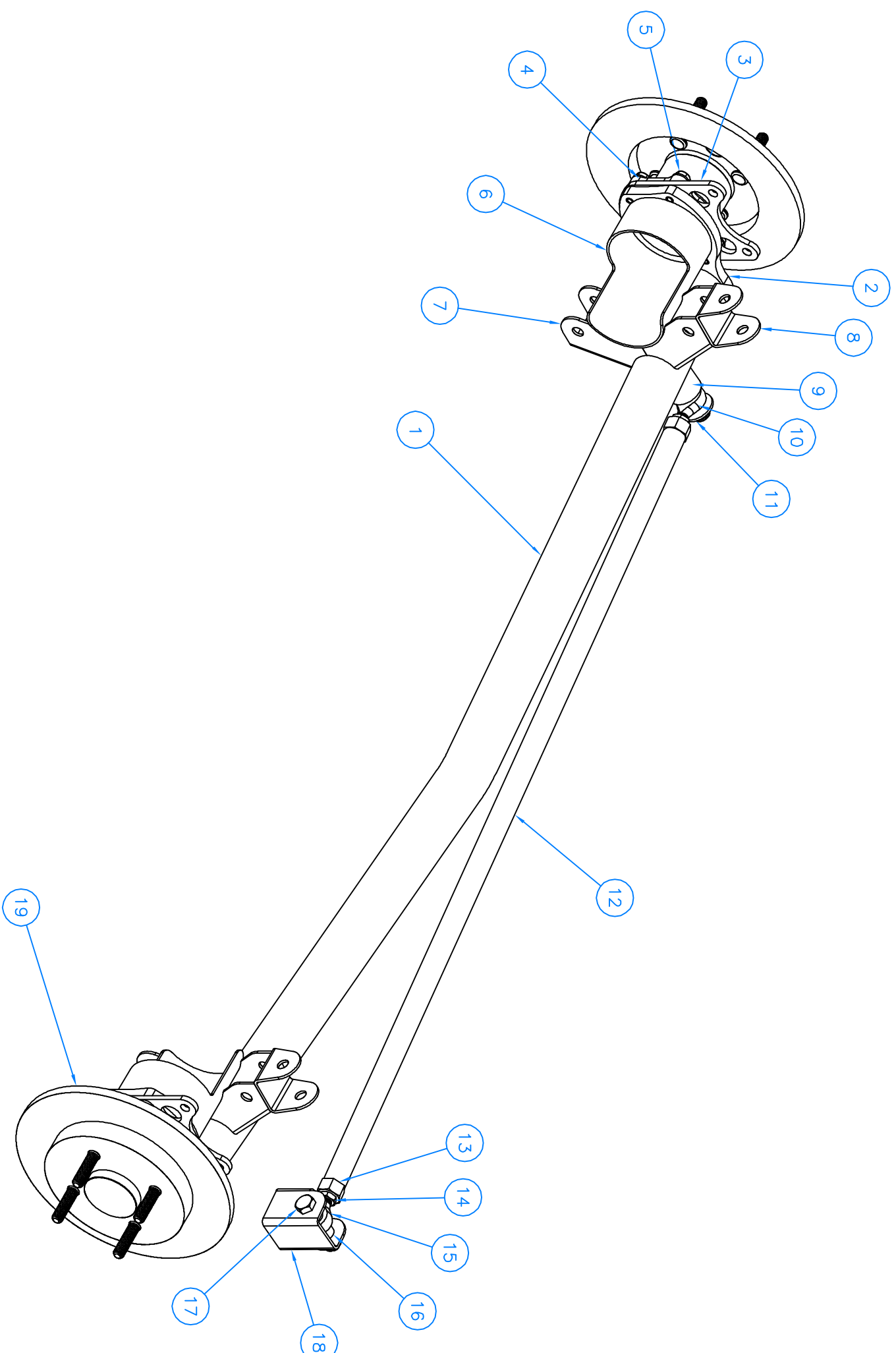
.X ± 0.5
.XX ± 0.25
.XXX ± 0.125



RORTY DESIGN
 PO BOX 13270
 LAW COURTS
 MELBOURNE
 VIC 8010
 AUSTRALIA

info@rorty-design.com
 www.rorty-design.com

REV No.	DATE & No	REVISIONS	ZONE



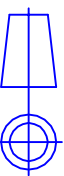
SCALE	SHEET
5:1	
DRAWN	DATE
	23.12.04
TITLE	

DE DION ASSEMBLY

DRG No RDDDA01

A3

FIRST ANGLE PROJECTION



THIS DRAWING IS CONFIDENTIAL AND IS SUPPLIED ON THE EXPRESS CONDITION THAT IT SHALL NOT BE LOANED, COPIED OR DISCLOSED TO ANY OTHER PERSON NOR USED FOR ANY OTHER PURPOSE WITHOUT THE WRITTEN CONSENT OF RORTY DESIGN

- UNLESS SPECIFIED OTHERWISE:
1. ALL DIMENSIONS ARE IN MILLIMETERS
 2. REMOVE ALL BURRS & SHARP EDGES
 3. CORNER RADII R0.75
 4. CHAMFER SIZE 0.75 x 45°
 5. CONCENTRICITY 0.05 TIR

UNLESS SPECIFIED OTHERWISE: TOLERANCES ANGULAR ± 0.5°

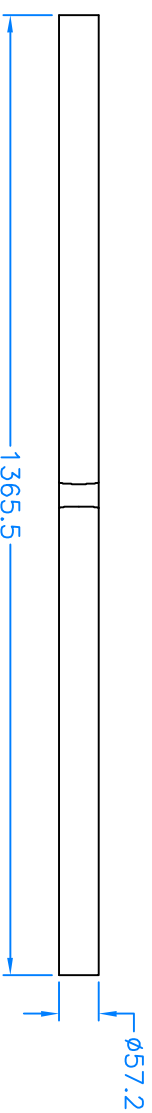
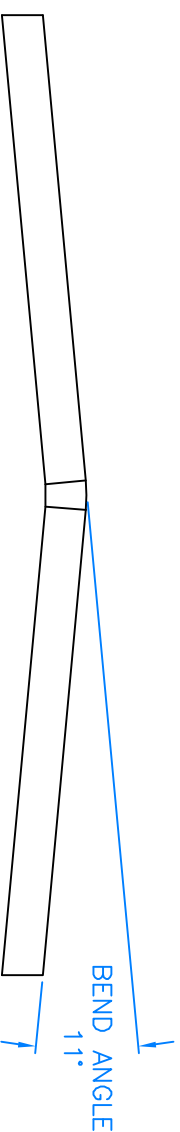
.X ± 0.5
.XX ± 0.25
.XXX ± 0.125



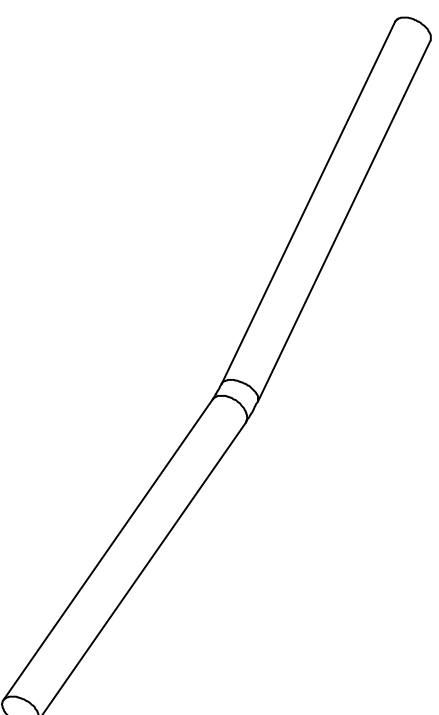
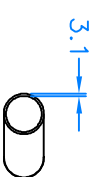
RORTY DESIGN
 PO BOX 13270
 LAW COURTS
 MELBOURNE
 VIC 8010
 AUSTRALIA

info@rorty-design.com
 www.rorty-design.com

REVISIONS		
REV No.	DATE & No	ZONE



MATERIAL: ϕ 57.2 X 3.01 CDS [DOM]



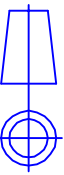
SCALE	SHEET
10:1	
DRAWN	DATE
	23.12.04
TITLE	

DE DION TUBE

DRG No RDDDA02

A3

FIRST ANGLE PROJECTION



THIS DRAWING IS CONFIDENTIAL AND IS SUPPLIED ON THE EXPRESS CONDITION THAT IT SHALL NOT BE LOANED, COPIED OR DISCLOSED TO ANY OTHER PERSON NOR USED FOR ANY OTHER PURPOSE WITHOUT THE WRITTEN CONSENT OF RORTY DESIGN

- UNLESS SPECIFIED OTHERWISE:
1. ALL DIMENSIONS ARE IN MILLIMETERS
 2. REMOVE ALL BURRS & SHARP EDGES
 3. CORNER RADII R0.75
 4. CHAMFER SIZE 0.75 x 45°
 5. CONCENTRICITY 0.05 TIR

UNLESS SPECIFIED OTHERWISE: TOLERANCES ANGULAR ± 0.5°

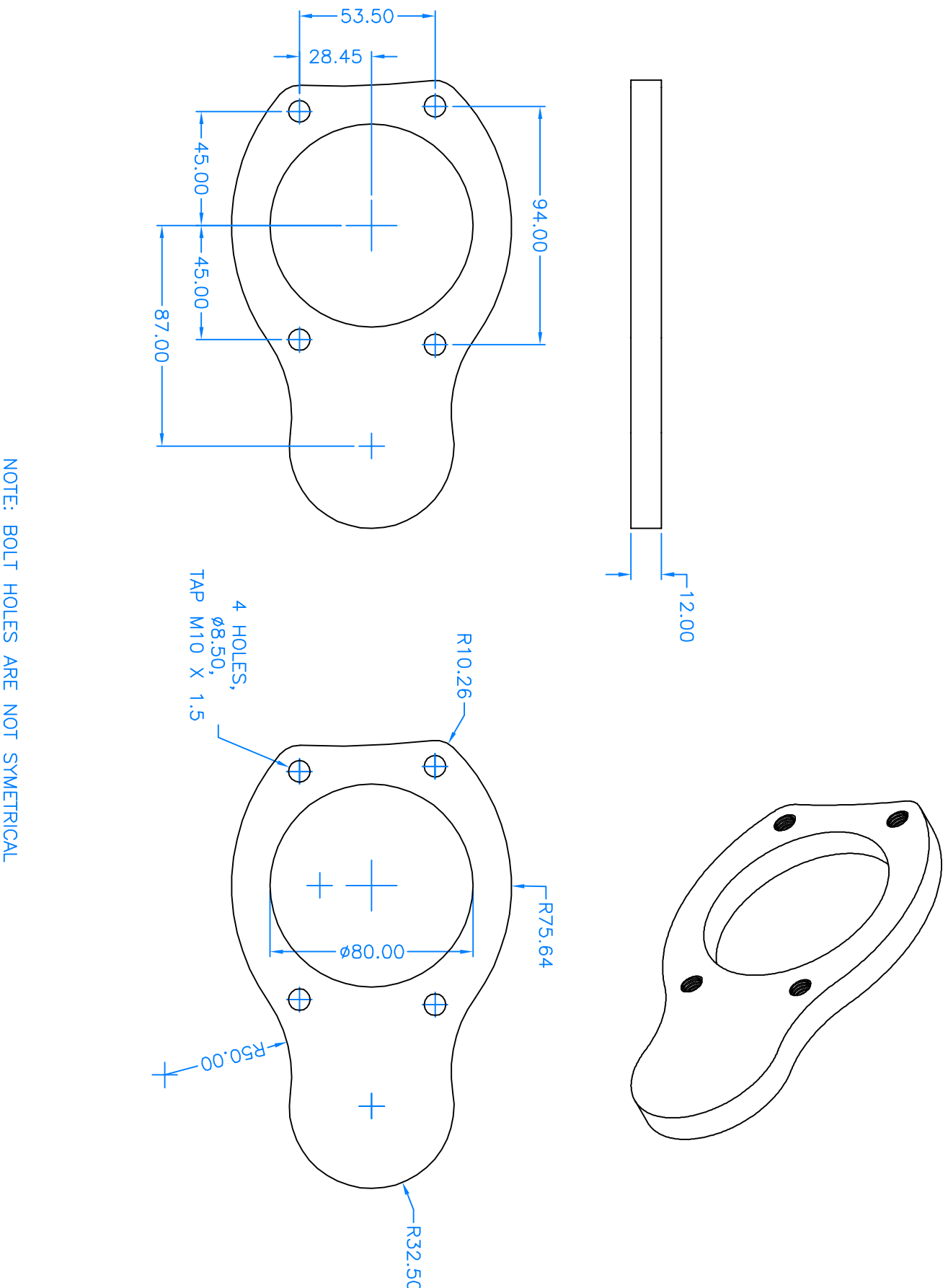
.X ± 0.5
.XX ± 0.25
.XXX ± 0.125



RORTY DESIGN
 PO BOX 13270
 LAW COURTS
 MELBOURNE
 VIC 8010
 AUSTRALIA

info@rorty-design.com
 www.rorty-design.com

REV No.	REVISIONS	
	DATE & No	ZONE



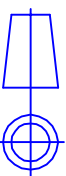
SCALE	SHEET
2:1	

DRAWN	DATE
	23.12.04

TITLE
HUB PLATE

DRG No
RDDDA03

A3



FIRST ANGLE PROJECTION

THIS DRAWING IS CONFIDENTIAL AND IS SUPPLIED ON THE EXPRESS CONDITION THAT IT SHALL NOT BE LOANED, COPIED OR DISCLOSED TO ANY OTHER PERSON NOR USED FOR ANY OTHER PURPOSE WITHOUT THE WRITTEN CONSENT OF RORTY DESIGN

- UNLESS SPECIFIED OTHERWISE:
1. ALL DIMENSIONS ARE IN MILLIMETERS
 2. REMOVE ALL BURRS & SHARP EDGES
 3. CORNER RADII R0.75
 4. CHAMFER SIZE 0.75 x 45°
 5. CONCENTRICITY 0.05 TIR

UNLESS SPECIFIED OTHERWISE: TOLERANCES ANGULAR ± 0.5°

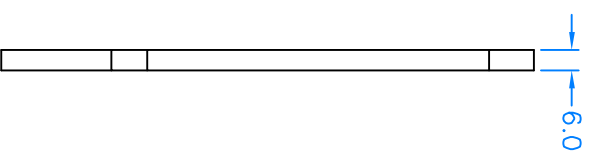
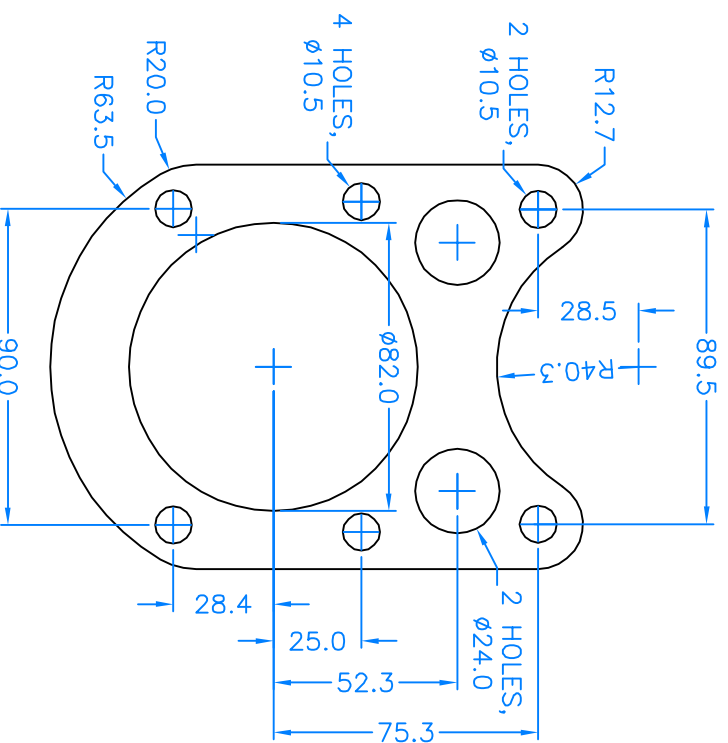
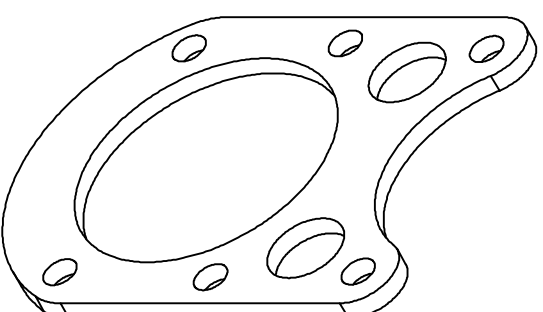
.X ± 0.5
.XX ± 0.25
.XXX ± 0.125



RORTY DESIGN
 PO BOX 13270
 LAW COURTS
 MELBOURNE
 VIC 8010
 AUSTRALIA

info@rorty-design.com
 www.rorty-design.com

REV No.	REVISIONS	
	DATE & No	ZONE



MATERIAL: 6mm COLD ROLLED PLATE

SCALE	SHEET
2:1	
DRAWN	DATE
	23.12.04
TITLE	

CALLIPER BRACKET

DRG No RDDDA04

A3

FIRST ANGLE PROJECTION



THIS DRAWING IS CONFIDENTIAL AND IS SUPPLIED ON THE EXPRESS CONDITION THAT IT SHALL NOT BE LOANED, COPIED OR DISCLOSED TO ANY OTHER PERSON NOR USED FOR ANY OTHER PURPOSE WITHOUT THE WRITTEN CONSENT OF RORTY DESIGN

- UNLESS SPECIFIED OTHERWISE:
1. ALL DIMENSIONS ARE IN MILLIMETERS
 2. REMOVE ALL BURRS & SHARP EDGES
 3. CORNER RADII R0.75
 4. CHAMFER SIZE 0.75 x 45°
 5. CONCENTRICITY 0.05 TIR

UNLESS SPECIFIED OTHERWISE: TOLERANCES ANGULAR ± 0.5°

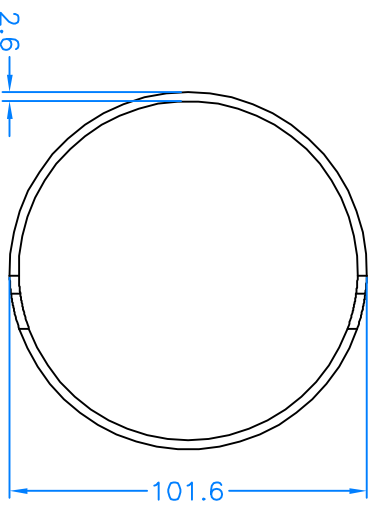
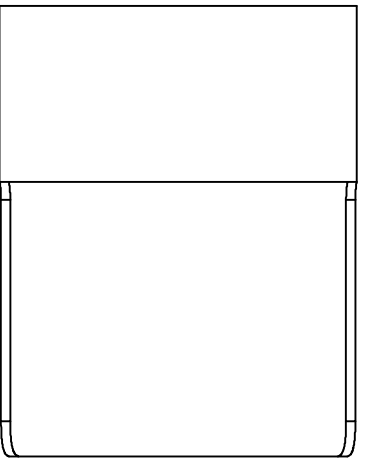
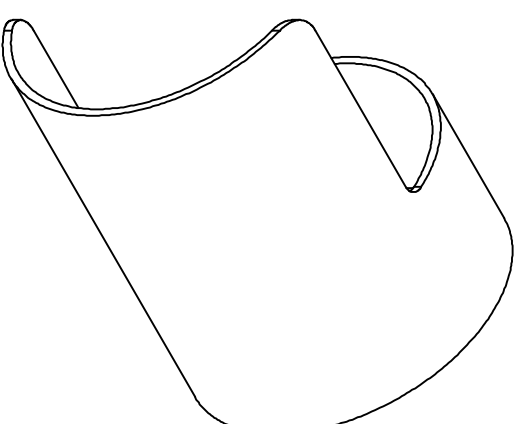
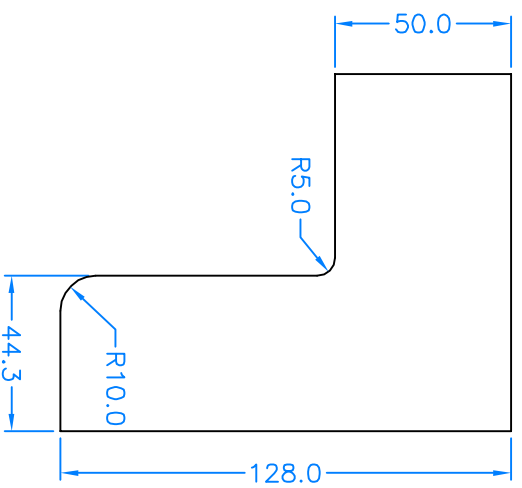
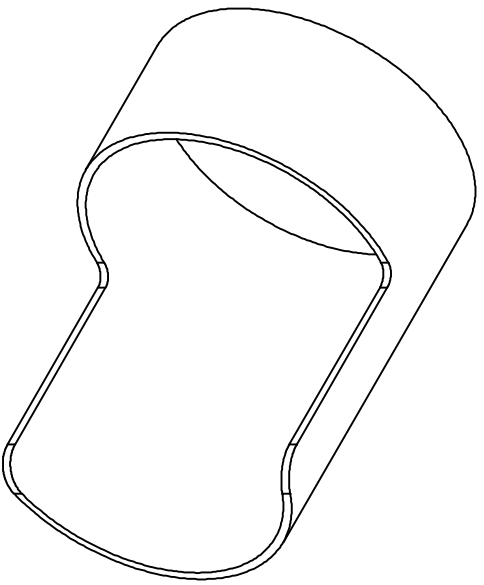
.X ± 0.5
.XX ± 0.25
.XXX ± 0.125



RORTY DESIGN
 PO BOX 13270
 LAW COURTS
 MELBOURNE
 VIC 8010
 AUSTRALIA

info@rorty-design.com
 www.rorty-design.com

REVISIONS		
REV No.	DATE & No	ZONE



MATERIAL: ø101.6 X 2.6 ERW/CDS [CREW/DOM]

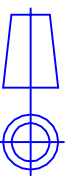
SCALE	SHEET
2:1	
DRAWN	DATE
	23.12.04
TITLE	
HUB BUCKET	
DRG No	
RDDDA05	

DRG No RDDDA05

HUB BUCKET

RDDDA05

A3



FIRST ANGLE PROJECTION

THIS DRAWING IS CONFIDENTIAL AND IS SUPPLIED ON THE EXPRESS CONDITION THAT IT SHALL NOT BE LOANED, COPIED OR DISCLOSED TO ANY OTHER PERSON NOR USED FOR ANY OTHER PURPOSE WITHOUT THE WRITTEN CONSENT OF RORTY DESIGN

- UNLESS SPECIFIED OTHERWISE:
1. ALL DIMENSIONS ARE IN MILLIMETERS
 2. REMOVE ALL BURRS & SHARP EDGES
 3. CORNER RADII R0.75
 4. CHAMFER SIZE 0.75 x 45°
 5. CONCENTRICITY 0.05 TIR

UNLESS SPECIFIED OTHERWISE: TOLERANCES ANGULAR ± 0.5°

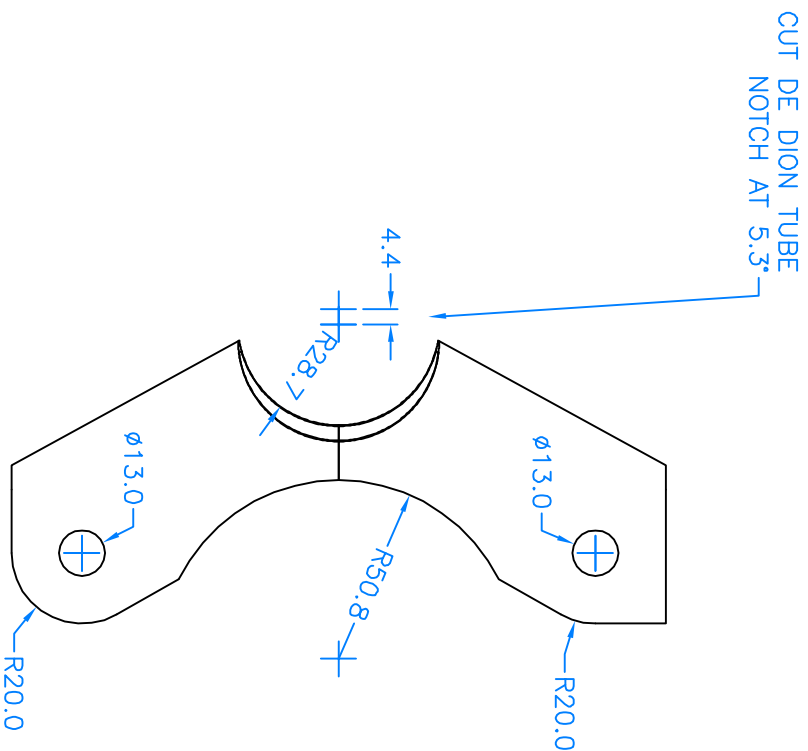
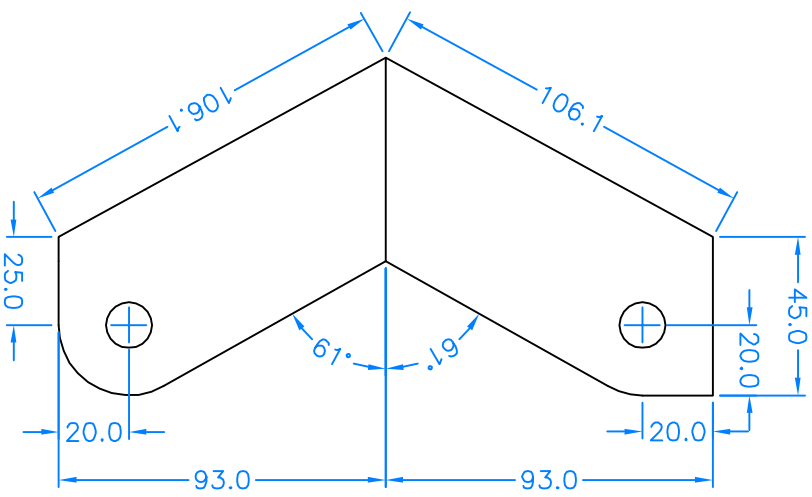
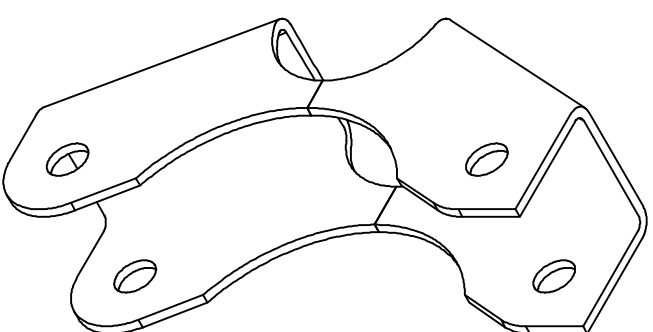
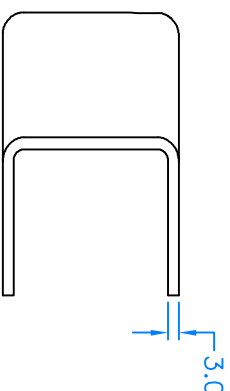
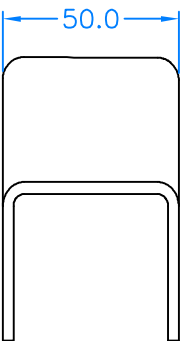
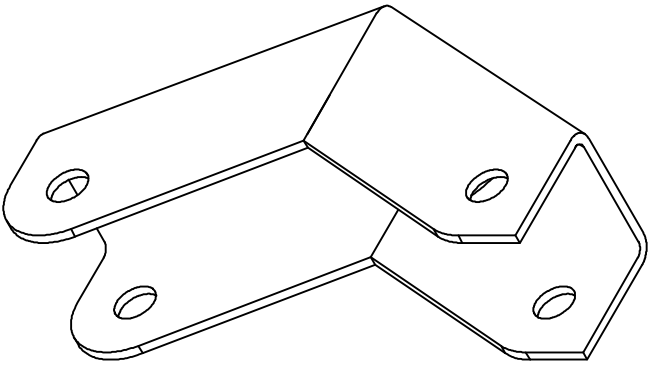
.X ± 0.5
.XX ± 0.25
.XXX ± 0.125



RORTY DESIGN
PO BOX 13270
LAW COURTS
MELBOURNE
VIC 8010
AUSTRALIA

info@rorty-design.com
www.rorty-design.com

REV No.	DATE & No	REVISIONS	ZONE



MATERIAL: 100 X 50 X 3 RHS

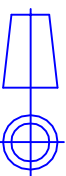
SCALE	SHEET
2:1	
DRAWN	DATE
	23.12.04
TITLE	

AXLE BRACKET

DRG No RDDDA06

A3

FIRST ANGLE PROJECTION



THIS DRAWING IS CONFIDENTIAL AND IS SUPPLIED ON THE EXPRESS CONDITION THAT IT SHALL NOT BE LOANED, COPIED OR DISCLOSED TO ANY OTHER PERSON NOR USED FOR ANY OTHER PURPOSE WITHOUT THE WRITTEN CONSENT OF RORTY DESIGN

- UNLESS SPECIFIED OTHERWISE:
- 1. ALL DIMENSIONS ARE IN MILLIMETERS
 - 2. REMOVE ALL BURRS & SHARP EDGES
 - 3. CORNER RADII R0.75
 - 4. CHAMFER SIZE 0.75 x 45°
 - 5. CONCENTRICITY 0.05 TIR

UNLESS SPECIFIED OTHERWISE: TOLERANCES ANGULAR ± 0.5°

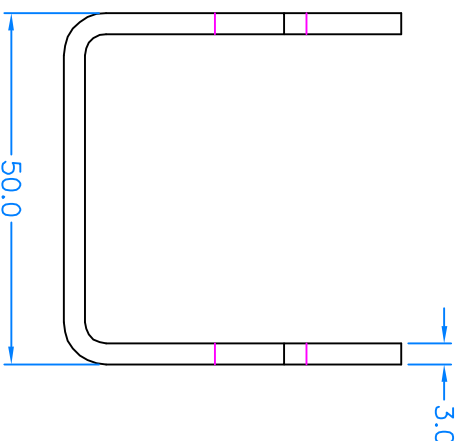
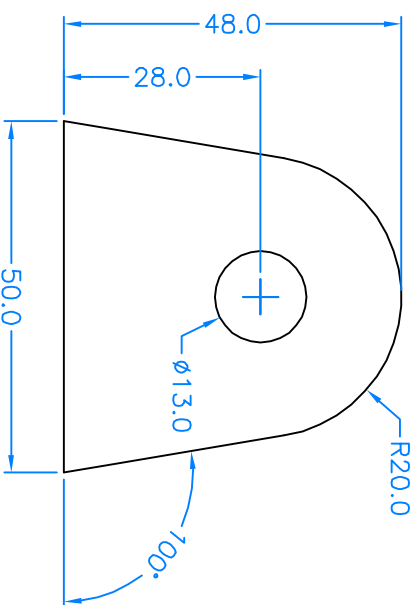
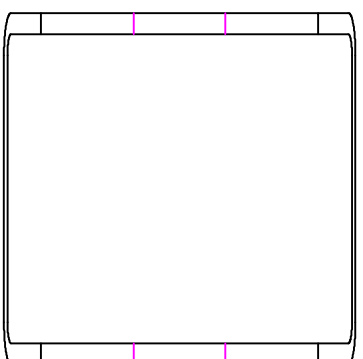
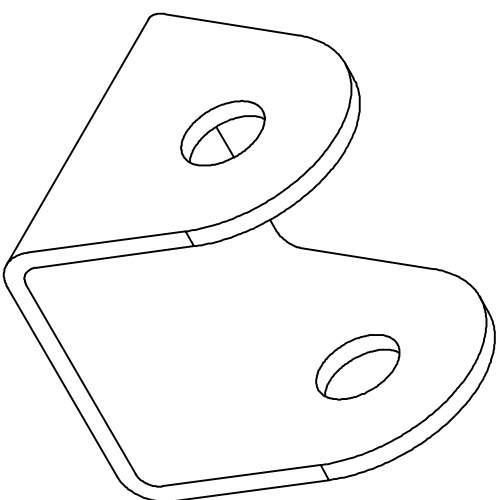
.X ± 0.5
.XX ± 0.25
.XXX ± 0.125



RORTY DESIGN
 PO BOX 13270
 LAW COURTS
 MELBOURNE
 VIC 8010
 AUSTRALIA

info@rorty-design.com
 www.rorty-design.com

REV No.	REVISIONS	
	DATE & No	ZONE



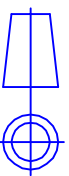
MATERIAL: 100 X 50 X 3 RHS

SCALE	1:1	SHEET	
DRAWN		DATE	23.12.04
TITLE			

SHOCK BRACKET

DRG No RDDDA07

A3



FIRST ANGLE PROJECTION

THIS DRAWING IS CONFIDENTIAL AND IS SUPPLIED ON THE EXPRESS CONDITION THAT IT SHALL NOT BE LOANED, COPIED OR DISCLOSED TO ANY OTHER PERSON NOR USED FOR ANY OTHER PURPOSE WITHOUT THE WRITTEN CONSENT OF RORTY DESIGN

- UNLESS SPECIFIED OTHERWISE:
1. ALL DIMENSIONS ARE IN MILLIMETERS
 2. REMOVE ALL BURRS & SHARP EDGES
 3. CORNER RADII R0.75
 4. CHAMFER SIZE 0.75 x 45°
 5. CONCENTRICITY 0.05 TIR

UNLESS SPECIFIED OTHERWISE: TOLERANCES ANGULAR ± 0.5°

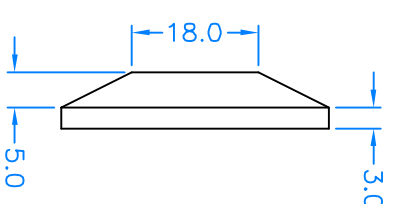
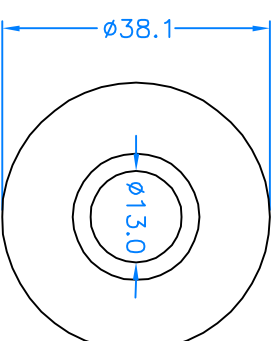
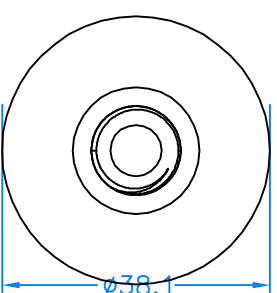
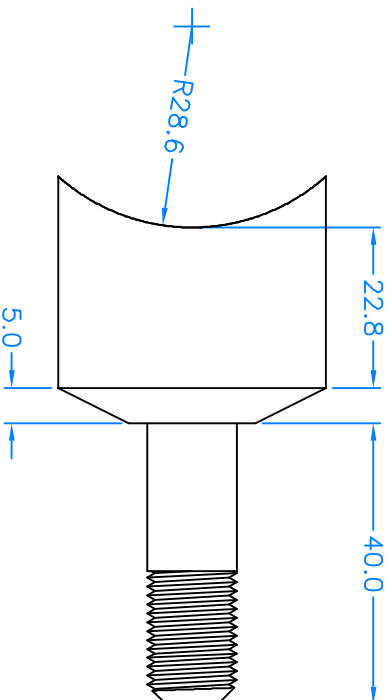
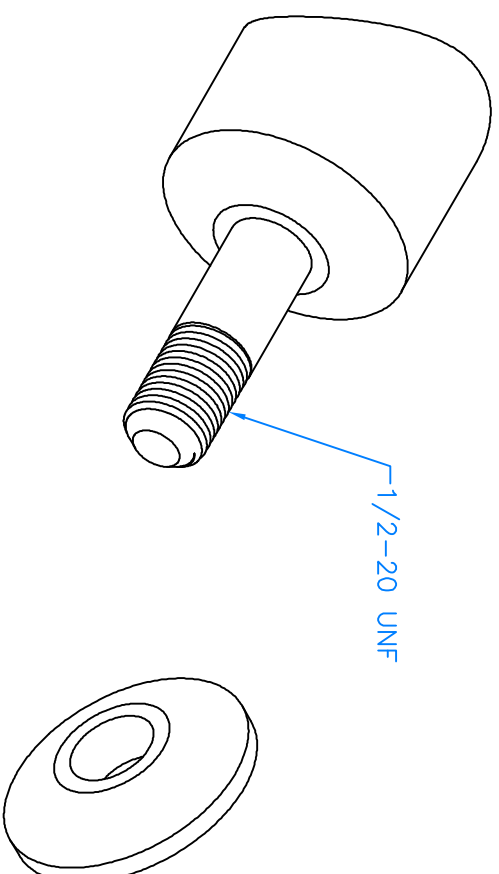
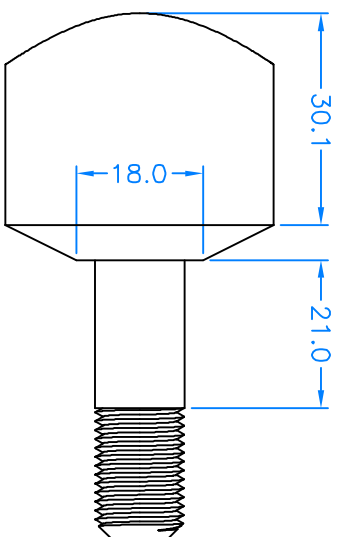
.X ± 0.5
.XX ± 0.25
.XXX ± 0.125



RORTY DESIGN
PO BOX 13270
LAW COURTS
MELBOURNE
VIC 8010
AUSTRALIA

info@rorty-design.com
www.rorty-design.com

REV No.	DATE & No	REVISIONS	ZONE



MATERIAL: ϕ 38.1 4140 [EN24T] ROUND BAR

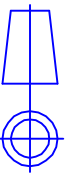
SCALE	1:1	SHEET
DRAWN		DATE 23.12.04
TITLE		

PANHARD
MOUNT - AXLE

DRG No RDDDA08

A3

FIRST ANGLE PROJECTION



THIS DRAWING IS CONFIDENTIAL AND IS SUPPLIED ON THE EXPRESS CONDITION THAT IT SHALL NOT BE LOANED, COPIED OR DISCLOSED TO ANY OTHER PERSON NOR USED FOR ANY OTHER PURPOSE WITHOUT THE WRITTEN CONSENT OF RORTY DESIGN

- UNLESS SPECIFIED OTHERWISE:
- 1. ALL DIMENSIONS ARE IN MILLIMETERS
 - 2. REMOVE ALL BURRS & SHARP EDGES
 - 3. CORNER RADII R0.75
 - 4. CHAMFER SIZE 0.75 x 45°
 - 5. CONCENTRICITY 0.05 TIR

UNLESS SPECIFIED OTHERWISE: TOLERANCES ANGULAR ± 0.5°

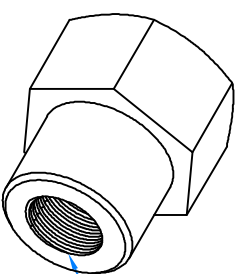
.X ± 0.5
.XX ± 0.25
.XXX ± 0.125



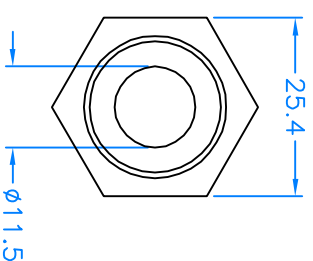
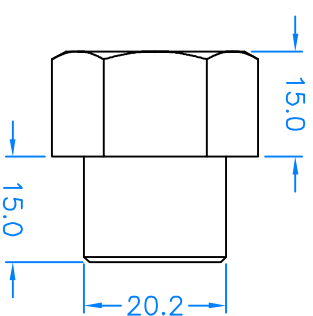
RORTY DESIGN
 PO BOX 13270
 LAW COURTS
 MELBOURNE
 VIC 8010
 AUSTRALIA

info@rorty-design.com
 www.rorty-design.com

REVISIONS		
REV No.	DATE & No	ZONE



TAP ONE RH 1/2-20 UNF
AND ONE LH 1/2-20 UNF

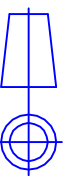


MATERIAL: 25.4 COLD ROLLED HEX BAR

SCALE	1:1	SHEET	
DRAWN		DATE	23.12.04
TITLE			
PANHARD FERULE			
DRG No	RDDDA09		

A3

FIRST ANGLE PROJECTION



THIS DRAWING IS CONFIDENTIAL AND IS SUPPLIED ON THE EXPRESS CONDITION THAT IT SHALL NOT BE LOANED, COPIED OR DISCLOSED TO ANY OTHER PERSON NOR USED FOR ANY OTHER PURPOSE WITHOUT THE WRITTEN CONSENT OF RORTY DESIGN

- UNLESS SPECIFIED OTHERWISE:
- 1. ALL DIMENSIONS ARE IN MILLIMETERS
 - 2. REMOVE ALL BURRS & SHARP EDGES
 - 3. CORNER RADII R0.75
 - 4. CHAMFER SIZE 0.75 x 45°
 - 5. CONCENTRICITY 0.05 TIR

UNLESS SPECIFIED OTHERWISE: TOLERANCES ANGULAR ± 0.5°

.X ± 0.5
.XX ± 0.25
.XXX ± 0.125



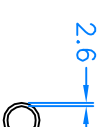
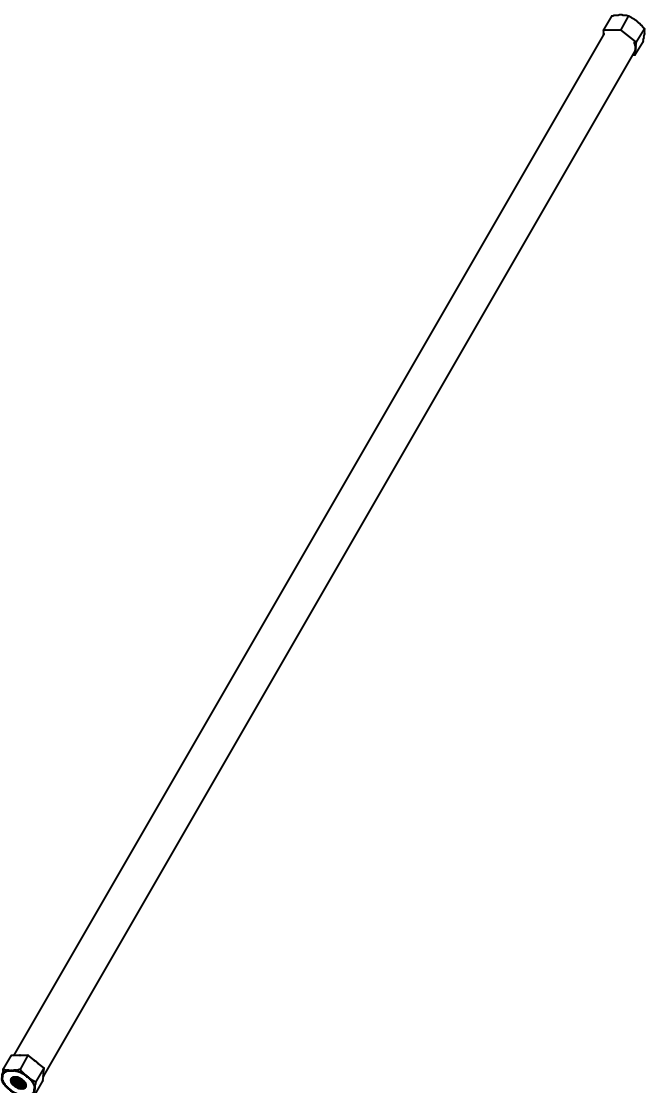
RORTY DESIGN
 PO BOX 13270
 LAW COURTS
 MELBOURNE
 VIC 8010
 AUSTRALIA

info@rorty-design.com
 www.rorty-design.com

REVISIONS		
REV No.	DATE & No	ZONE

SCALE	5:1	SHEET	
DRAWN		DATE	23.12.04
TITLE			
PANHARD TUBE			

DRG No RDDDA10



A

B

C

D

E

F

1

2

3

4

5

6

7

8

1

2

3

4

5

6

7

8

A

B

C

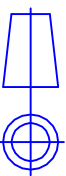
D

E

F

A3

FIRST ANGLE PROJECTION



THIS DRAWING IS CONFIDENTIAL AND IS SUPPLIED ON THE EXPRESS CONDITION THAT IT SHALL NOT BE LOANED, COPIED OR DISCLOSED TO ANY OTHER PERSON NOR USED FOR ANY OTHER PURPOSE WITHOUT THE WRITTEN CONSENT OF RORTY DESIGN

- UNLESS SPECIFIED OTHERWISE:
1. ALL DIMENSIONS ARE IN MILLIMETERS
 2. REMOVE ALL BURRS & SHARP EDGES
 3. CORNER RADIUS R0.75
 4. CHAMFER SIZE 0.75 x 45°
 5. CONCENTRICITY 0.05 TIR

UNLESS SPECIFIED OTHERWISE: TOLERANCES ANGULAR ± 0.5°

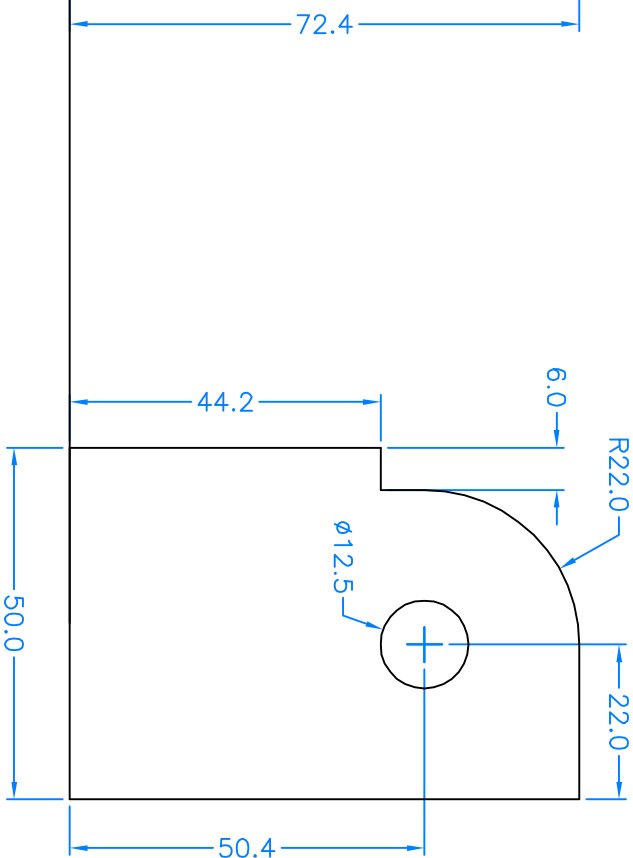
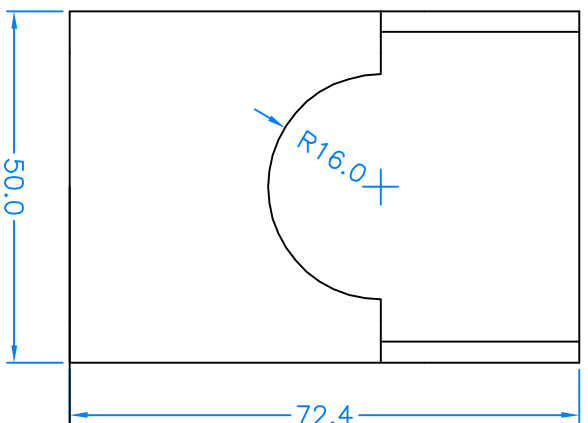
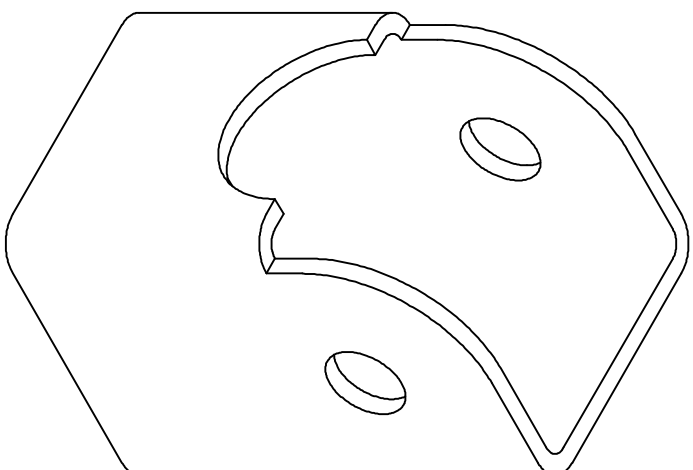
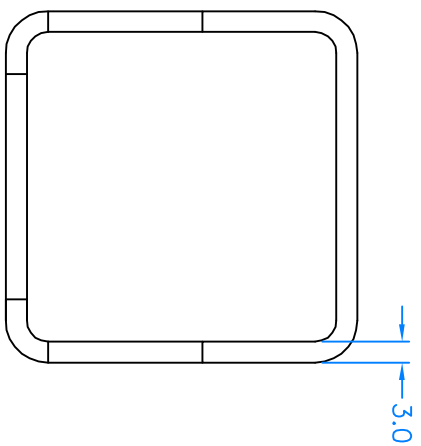
.X ± 0.5
.XX ± 0.25
.XXX ± 0.125



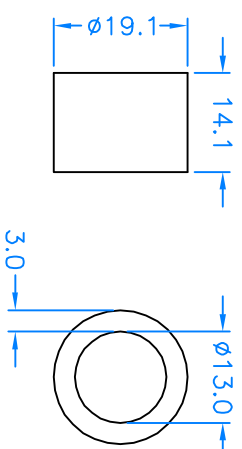
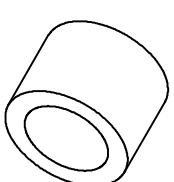
RORTY DESIGN
 PO BOX 13270
 LAW COURTS
 MELBOURNE
 VIC 8010
 AUSTRALIA

info@rorty-design.com
 www.rorty-design.com

REV No.	REVISIONS	
	DATE & No	ZONE



MATERIAL: 50 X 50 X 3 SHS



MATERIAL: ϕ 19.05 1040 ROUND BAR

SCALE	1:1	SHEET
DRAWN		DATE 23.12.04
TITLE		

PANHARD MOUNT
- CHASSIS

DRG No RDDDA11